

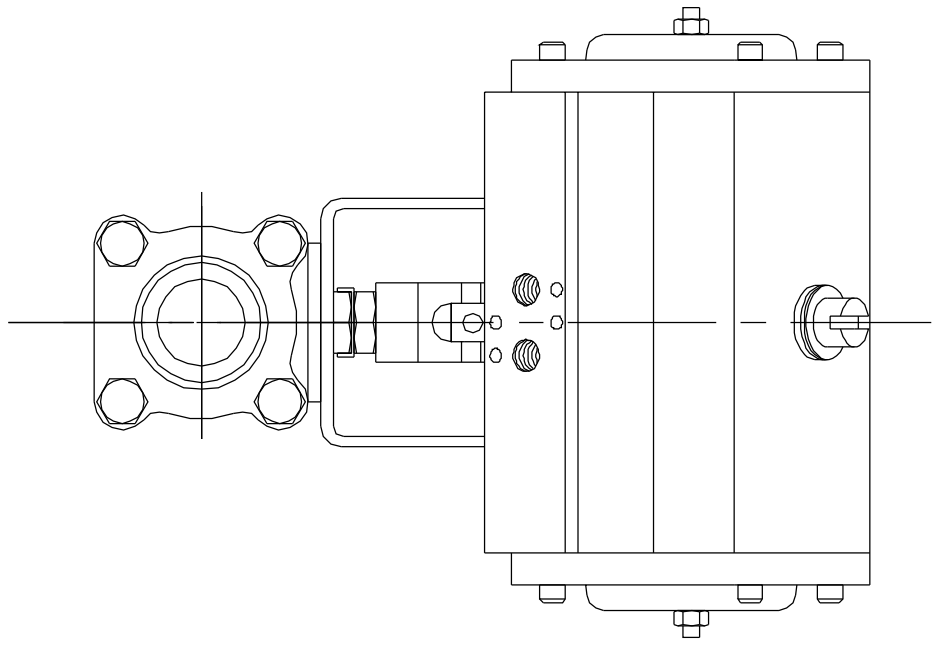
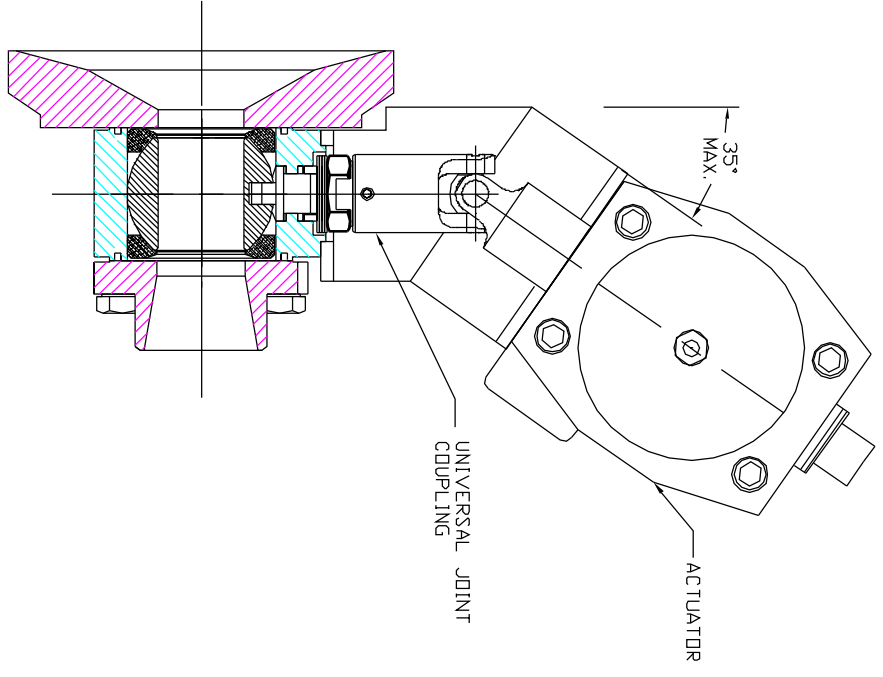
4

3

2

1

REVISIONS			
ZONE	REV	DESCRIPTION	DATE



4

3

2

1

SHARPE VALVES SERIES 84 VALVE FLUSH BOTTOM TANK FLANGE W/OFFSET MOUNTED ACTUATOR				SIZE	SCALE	DATE	REV
				C	FULL	07/30/04	0
DWN/DATE: CHR 07/30/04 APPD/DATE: CHR 07/30/04				SP-05A	sheet 1	DF	1

A

B

C

D

A

B

C

D