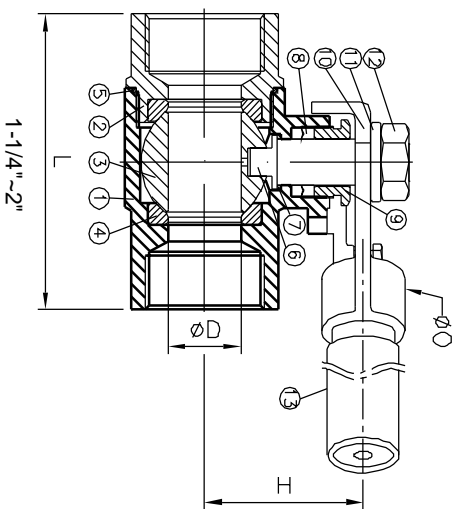
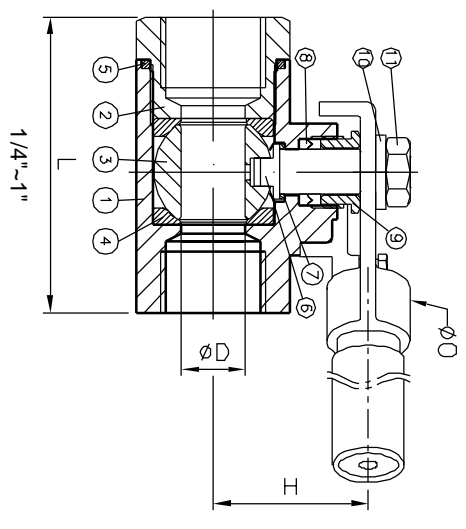
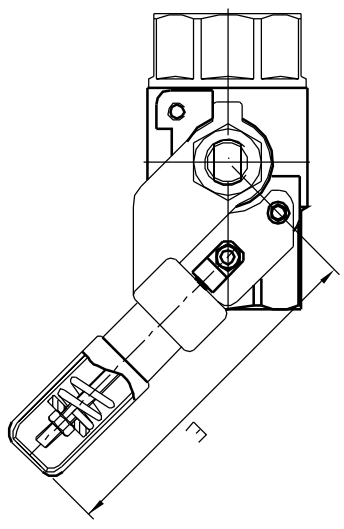
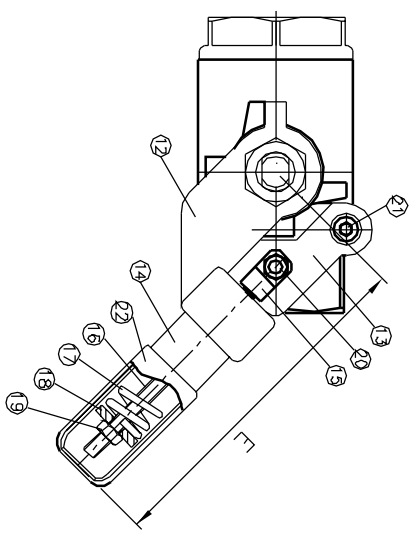


ZONE	REV	DESCRIPTION	DATE	APPROVED



NO.	PART NAME	MATERIAL	Q.TY
1	BODY	CF8M	1
2	CAP	CF8M	1
3	BALL	SS316	1
4	SEAT	RPTFE	2
5	GASKET	PTFE	1
6	STEM	SS316	1
7	THRUST WASHER	PTFE	1
8	STEM PACKING	PTFE	1
9	GLAND NUT	SS304	1
10	WASHER	SS304	1
11	NUT	SS304	1
12	HANDLE HEAD	CF8	1
13	SPRING FIXTURE PAD	CF8	1
14	TUBE HANDLE	SS304	1
15	SPRING SUPPORT	SS304	1
16	SPRING SHAFT	SS304	1
17	SPRING	SWPA	1
18	TENSION ADJUSTMENT WASHER	SS304	1
19	HEX NUT	SS304	1
20	SHAFT BOLT	SS304	1
21	BOLT	SS304	2
22	HANDLE SLEEVE	VINYL	1

SIZE	ØD	L	H	E	ØO
1/4"	11.2	56.8	31.8	184	29
3/8"	12.7	56.8	31.8	184	29
1/2"	12.7	58.7	31.8	184	29
3/4"	17.6	79	39.6	184	29
1"	22.4	86	43.2	234	29
1-1/4"	25.4	103.5	56.5	330	29
1-1/2"	31.6	110.6	61.2	330	29
2"	38.1	136.8	65.7	330	29

SHARPE VALVES
 MODEL 54576 / 54574
 W/SPRING RETURN HANDLE

DWG / DATE: CWR 9/10/04	SIZE: C	1304 NO.	DWG NO.	BVA-5457-002	REV: 0
APP'D / DATE: CWR 9/10/04	SCALE: NTS	SHEET 1 OF 1			